



PANTH ST

Typology

LED projector "minimal design" for outdoor and indoor applications.

Features

It can be connected to motion or twilight sensors.

Very small dimensions and design that meets the most demanding aesthetic requirements.

Supplied with an orientable mounting bracket.

Equipped with a GORE-TEX® valve to compensate for pressure variations due to thermal changes and to prevent the formation of condensation in the fixture.

Material

Painted die-cast metal body.

Beam

120°

Notes

Do not use with dimmer.

Free wire for professional use (1 m long).

BASIC

220-240
Vac

Ra >80

20000 h
L70B30

IP65

Terminals

-25°C
+35°C

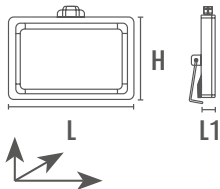
Risk
Group 1

120°

Characteristic data

Power	250 W	Beam	120°	Dimmable	No	Input	220-240 Vac
Base	Terminals	IP	65	Flux	25000 lm	PF	0,90
Tc	4000 K	Ra	>80	LED Warranty	G3	Axis	8200 cd
RG	RG1	Color	Black				

Dimensional characteristics



L	445 mm
L1	45.5 mm
H	334 mm

Lighting and photometric features

Beam opening	120°
Flux	25000 lm
CCT nominal colour temperature	4000 K
Colour of the light	Natural light
Colour rendering index	>80
Lifespan	20000 h
LED lifespan	L70B30
Trigger time	<0,2 s
Heating time up to 60% of full efficiency	Instant Full Light

Electrical characteristics

Rated power	250 W
Input voltage	220-240 Vac
Frequency	50-60 Hz
Dimmable	No
Power factor (PF)	0,90
Operating temperature	-25°C / +35°C

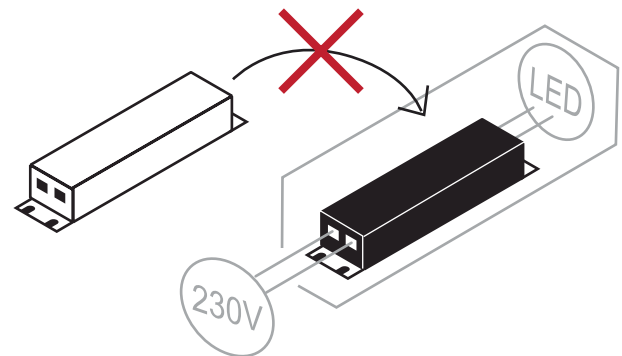
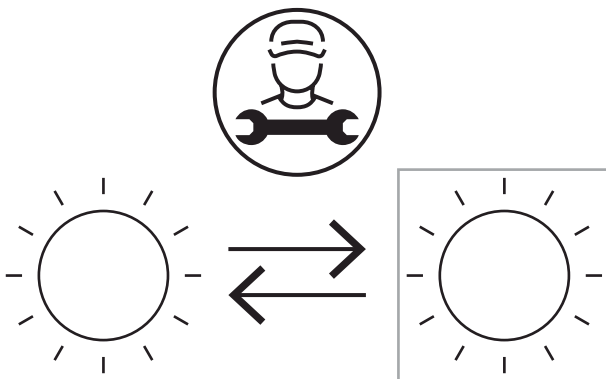
Photometry

	4000K	H(m)	D(m)	Emax(lx)	
	Ra80		114°		
Fixture Power	250W	1	3.06	8770	
Source Flux	24000lm	2	6.12	2192	
Fixture Flux	24000lm	3	9.19	974	
Efficacy	96lm/W	4	12.25	548	
941093 I _{max} =366cd/klm	I _{max}	8784cd	5	15.31	351

EuLumDat file on the site

Other Infotech

Light source replaceability	Replaceable light source by a professional.
Control gear replaceability	Non-replaceable control gear.



LED Warranty

G3	Up to 3 years (4000h/year) *4000h = 11h a day x 365 days. Without limitations on the duration of use for the first year, provided the observance of the installation conditions.
----	--

European Directives

2009/125/EC * Ecodesign
2011/65/EU * RoHS
2012/19/EU * RAEE
2014/30/EU * EMC
2014/35/EU * LVD
2015/863 * Amending RoHS
2017/1369 * Regulation for Energy Labelling
2019/2015 * Regulation for Energy Labelling
2019/2020 * Regulation for Ecodesign
2021/340 * Amending Reg. Energy Labelling
2021/341 * Amending Reg. Ecodesign

Product standards

CEI EN 55015:2020 (+A11:2020)
CEI EN 60598-1:2022
CEI EN 60598-2-5:2016
CEI EN 61000-3-2:2019 (+A1:2021)
CEI EN 61000-3-3:2014 (+EC1:2014/+EC2:2016/+A1:2021/+A2:2022)
CEI EN 61547:2010
CEI EN 62031:2021 (+A11:2022)
CEI EN 62471:2010
IEC/TR 62471-2:2009
CEI EN 62493:2015
CEI 34-141:2014

Logistics data

Item net weight	4270 gr
Barcode single item	8011905941093
Number of pieces multiple pack	4
Barcode multiple pack	8011905959265
Minimum order quantity	1
Minimum packaging	1 / 4