



MINILINI

Features

Minilini is a mains voltage architectural linear projector for surface mounted installation. It is constructed from extruded aluminium with an opal polycarbonate cover and is rated IP65 making it suitable for exterior environments: 40 mm wide and 295 or 589 mm long and available in various beam angles and wattages. Minilini is complete with integrated protection from voltage spikes.

Installation

Choice of surface mounting brackets with different fixed angles - 15°, 30°, 45° - or with adjustable brackets of different heights to be ordered with separate codes.

Usage information

230V: Dimmable 10-100%, TRIAC Leading edge
120V: ELV

Accessories

Accessories include a selection of fixed and angled surface mounting brackets providing installation uniformity or adjustable brackets for further flexibility.

Colour of the light

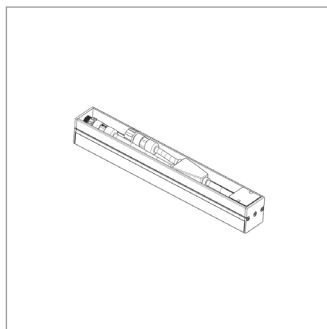
Choice of white colour temperatures.

Binning

ANSI/SDCM: 2 step.

Connections

Maximum connection length: 18 modules for the 16W version; 9 modules for the 32W version.

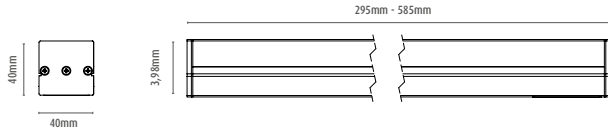


220-240 Vac	Ra >90		50000 h	IP65	RG1	A ⁺	PRO		110°
G5h24									

Characteristic data

Power	16 W	Beam	110°	Dimmable	Yes	Input	220-240 Vac
IP	65	Flux	1400 lm	Tc	3000 K	Ra	>90
LED Warranty	G5h24	Axis	460 cd	RG	RG1		

Dimensional characteristics



L	295 mm
H	40 mm
L1	40 mm

Lighting and photometric features

Beam opening	110°
Flux	1400 lm
CCT nominal colour temperature	3000 K
Colour of the light	Warm light
Colour rendering index	>90
Lifespan	50000 h
LED lifespan	L70B20
LM80 - Luminous flux maintenance at end of life	70

Electrical characteristics

Rated power	16 W
Input voltage	220-240 Vac
undefined	50 Hz
Dimmable	Yes
Weighted energy consumption	16 kWh/1000h
Energy class	A+
Number of cycles	100000

Photometry

	3000K	H(m)	D(m)	E _{max} (lx)		
	Ra90		113°			
	Fixture Power	16W	1	3.00	462	
	Source Flux	1400lm	2	6.00	115	
	Fixture Flux	1400lm	3	8.99	51	
	Efficacy	88lm/W	4	11.99	29	
955311	I _{max} =330cd/klm	I _{max}	462cd	5	14.99	18

EuLumDat file on the site

LED Warranty

G5h24	Full Guarantee 5 years (24h/24h) Without limitations on the duration of use for the first year, provided the observance of the installation conditions.
-------	---

Standards and Directives

2009/125/EC, 1194/2012, 2015/1428, 2010/30/EU	CEI EN 61000-3-3:2014
874/2012, 2011/65/EU, 2012/19/EU, 2014/30/EU	CEI EN 61547:2010
2014/35/EU, 2015/863	CEI EN 62031:2009
CEI EN 55015:2020	CEI EN 62031/A1/A2:2015
CEI EN 60598-1:2015	CEI EN 62471:2010
CEI EN 60598-1/A1:2019	IEC TR 62471-2:2009
CEI EN 60598-2-5:2016	CEI EN 62493:2015
CEI EN 61000-3-2:2019	CEI 34-141:2014

Logistics data

Barcode single item	8011905955311
---------------------	---------------