

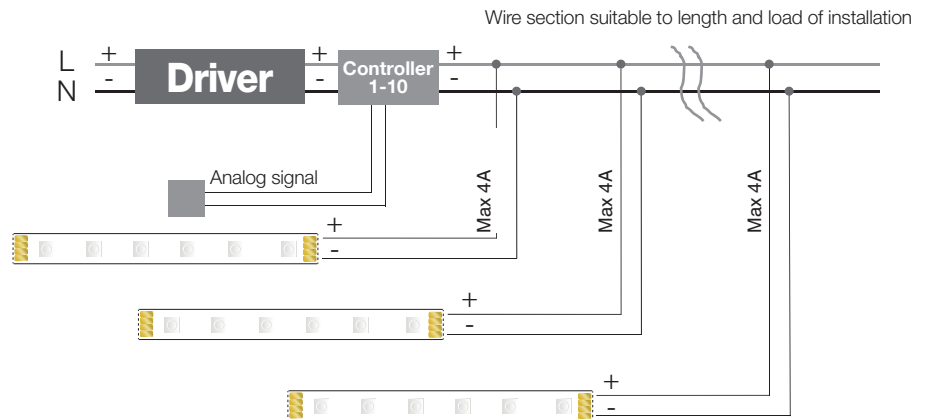
# DURASTRIP CONTROLLERS

## CONFIGURATION

## DURASTRIP WIRING DIAGRAMS

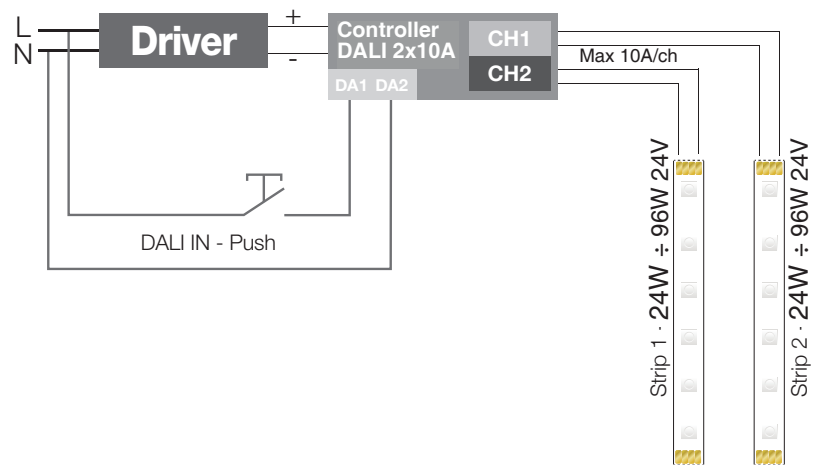
### DURASTRIP

CONTROLLERS:  
1-10V scheme



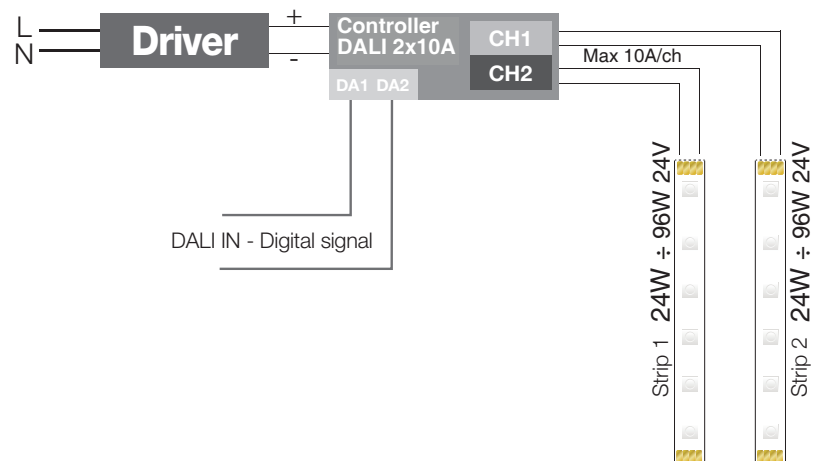
### DURASTRIP

CONTROLLERS:  
DALI scheme (Push)



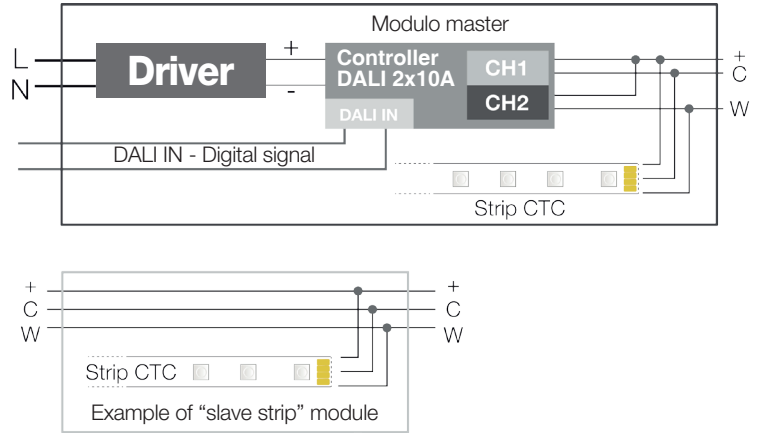
### DURASTRIP

CONTROLLERS:  
DALI scheme



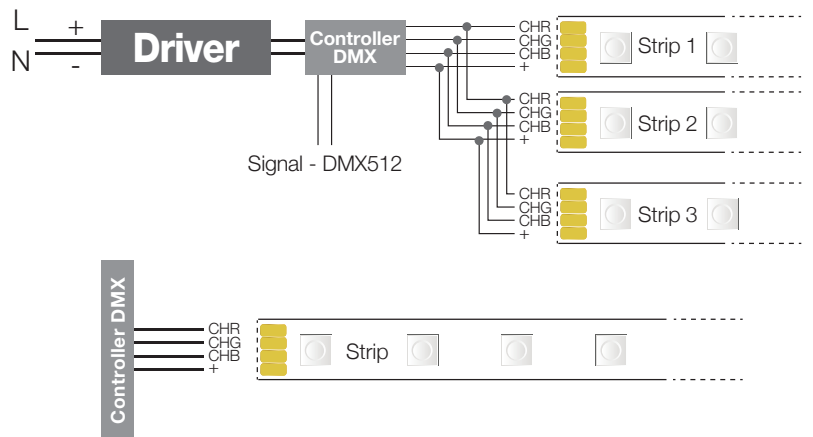
## DURASTRIP

CONTROLLERS:  
DALI scheme for CTC  
linear system with master  
and slave module



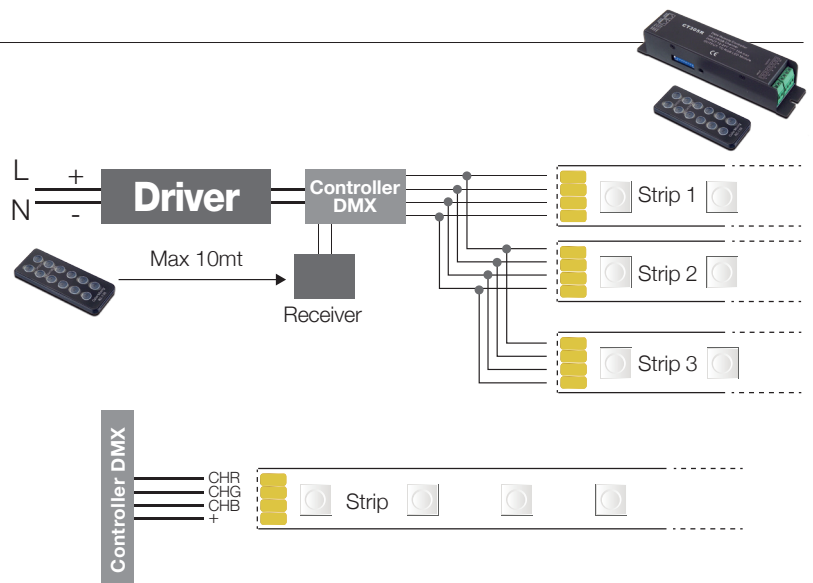
## DURASTRIP

CONTROLLERS:  
DMX scheme

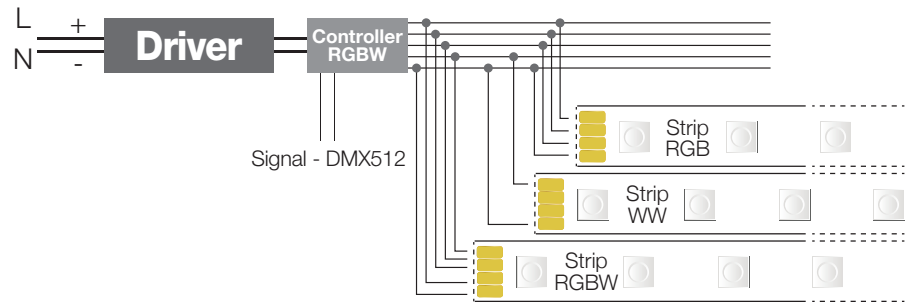


## DURASTRIP

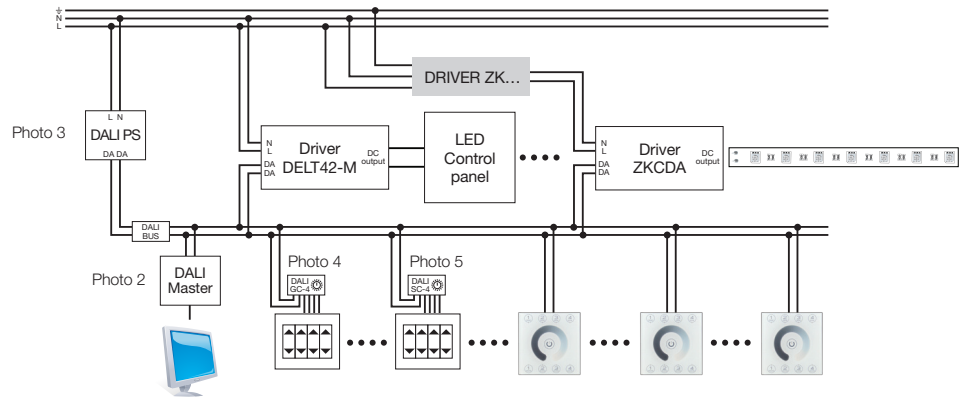
CONTROLLERS:  
DMX IR scheme



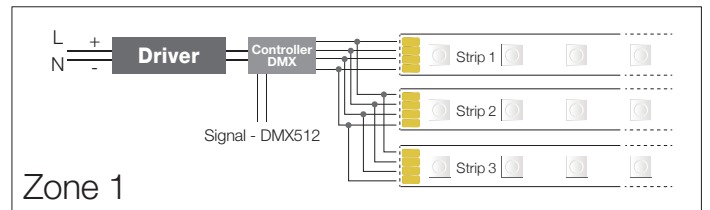
## DURASTRIP CONTROLLER RGB+W (Cod. ZKCDMXW)



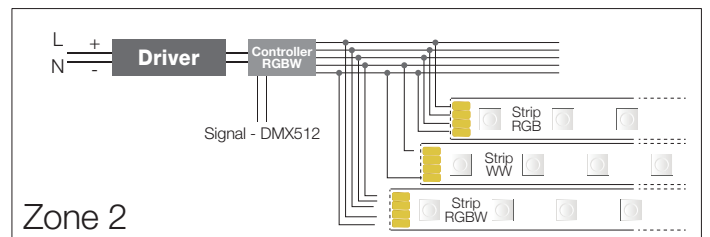
## DURASTRIP WALL MOUNTED TOUCH



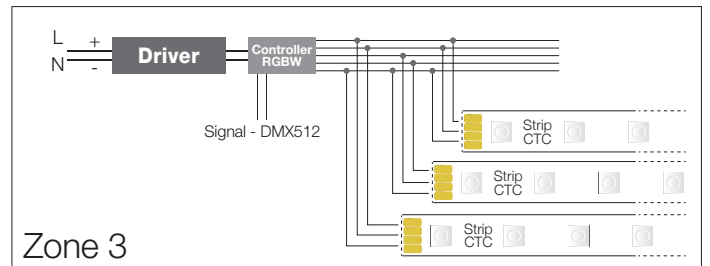
## DURASTRIP DIMMER TOUCH



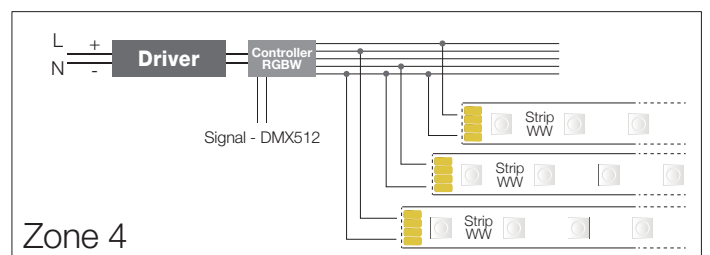
Zone 1



Zone 2



Zone 3



Zone 4

Max power indications for the use of DURASTRIP with the controllers, see page 92